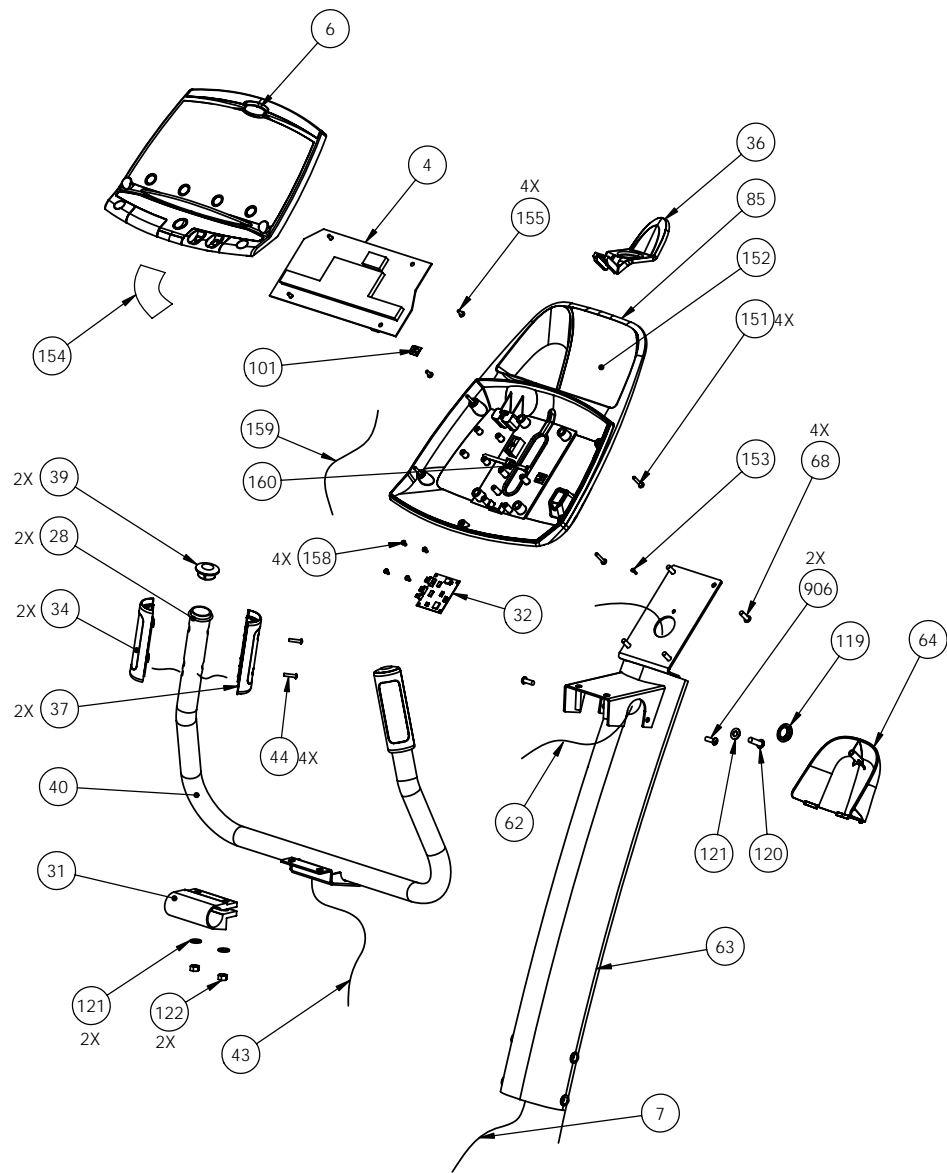
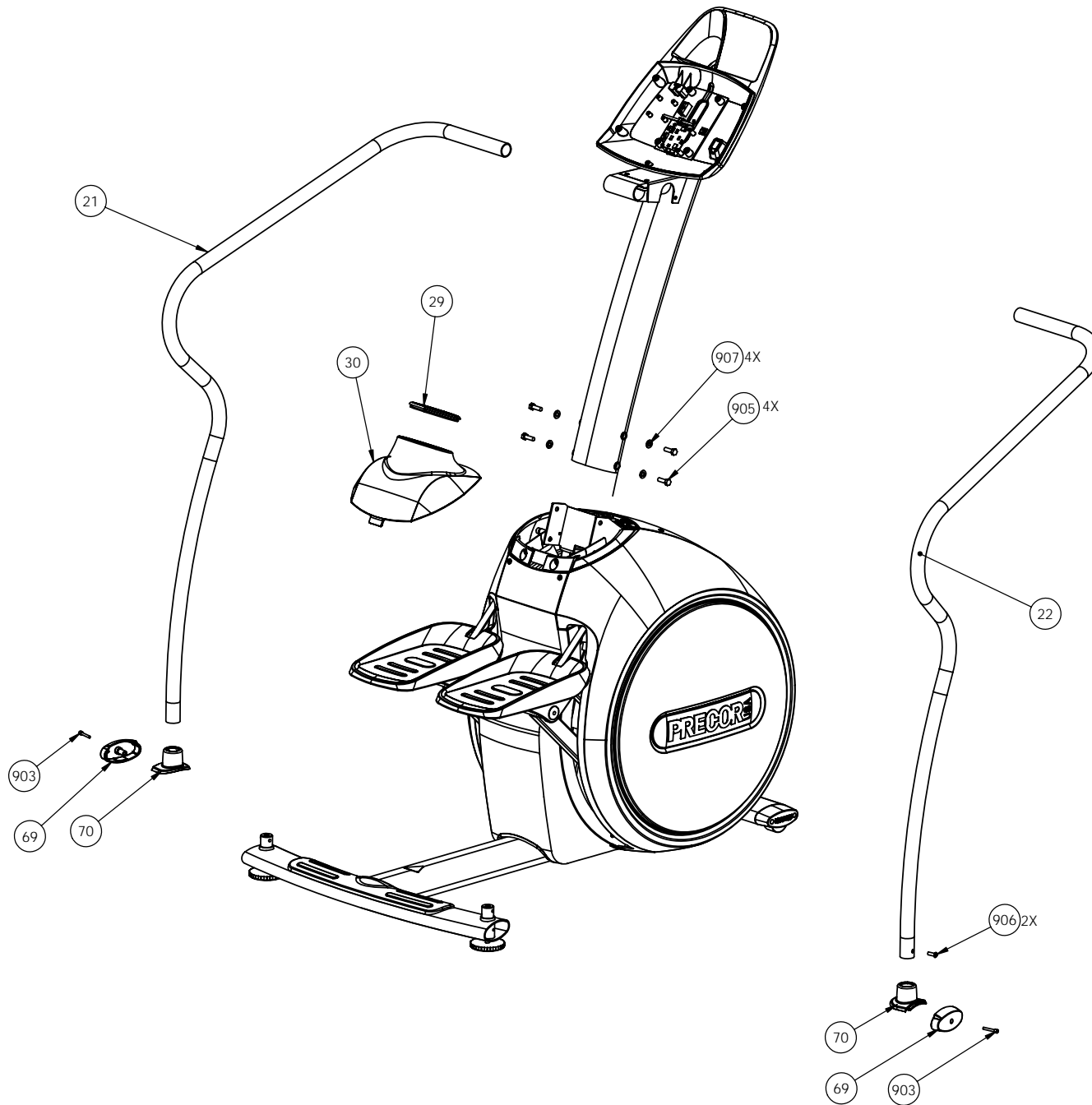
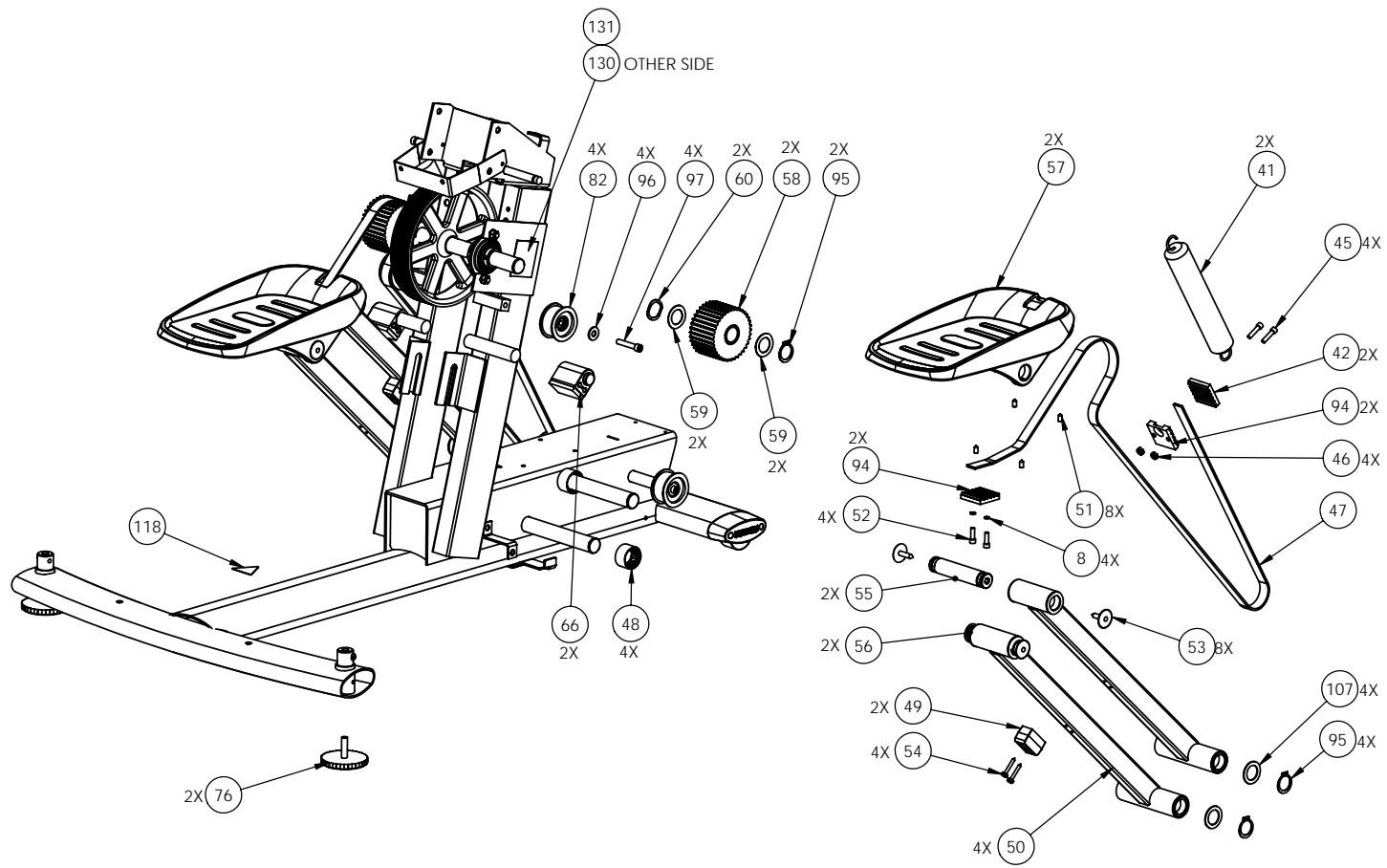
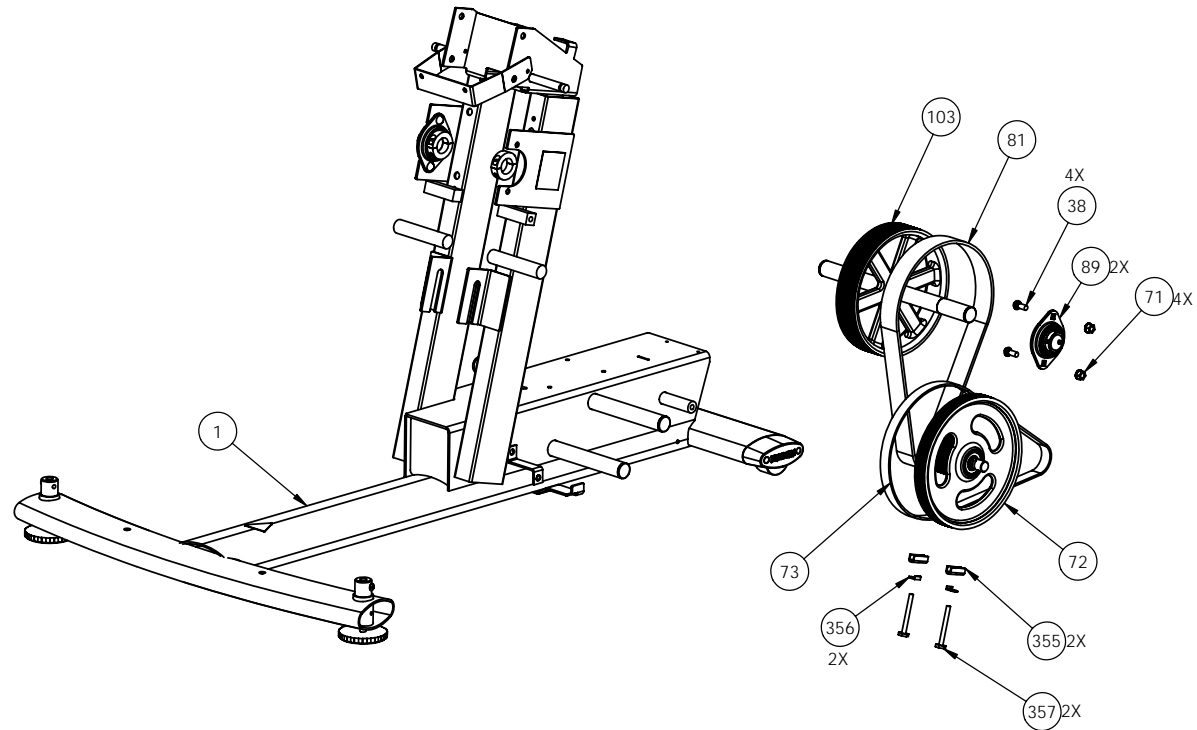


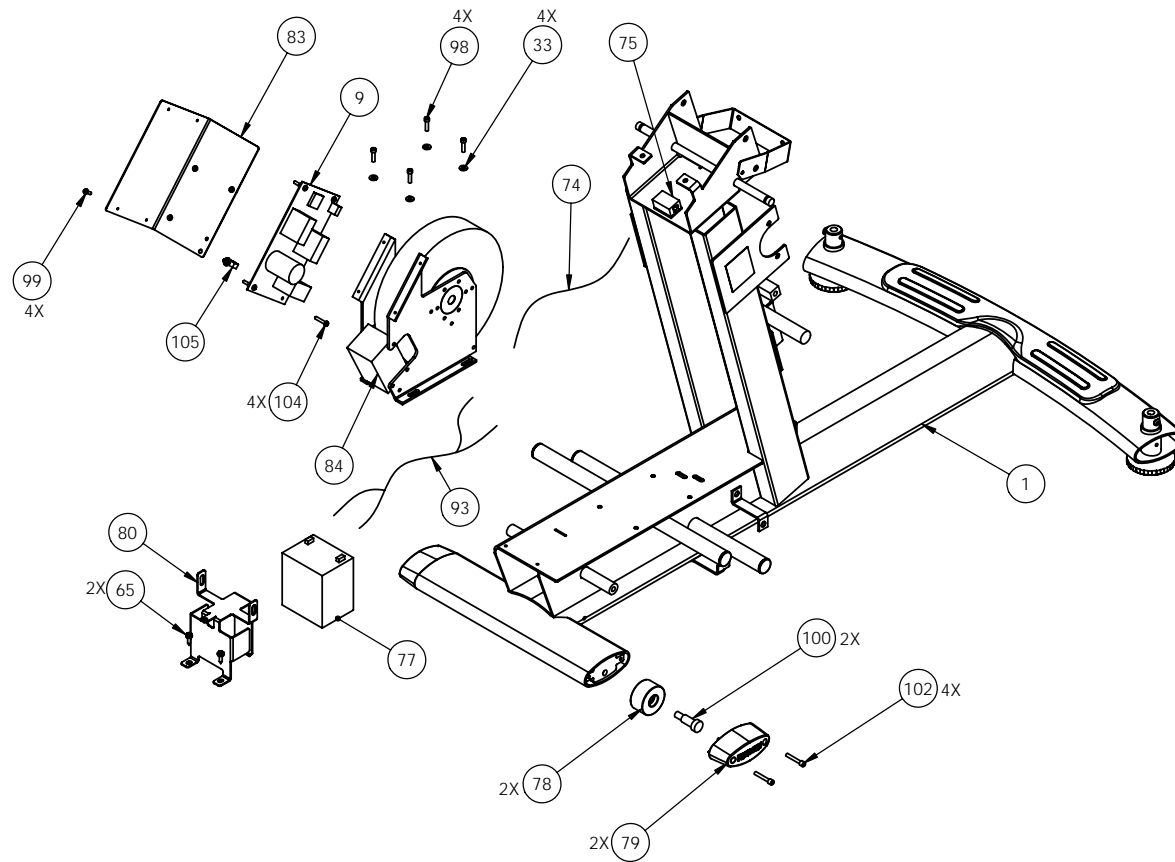
C776i	P/N : 48487-101	SUBREV : D
DRAWN BY : M.HAMILTON	DATE : 01.10.06	SHEET 1 OF 7

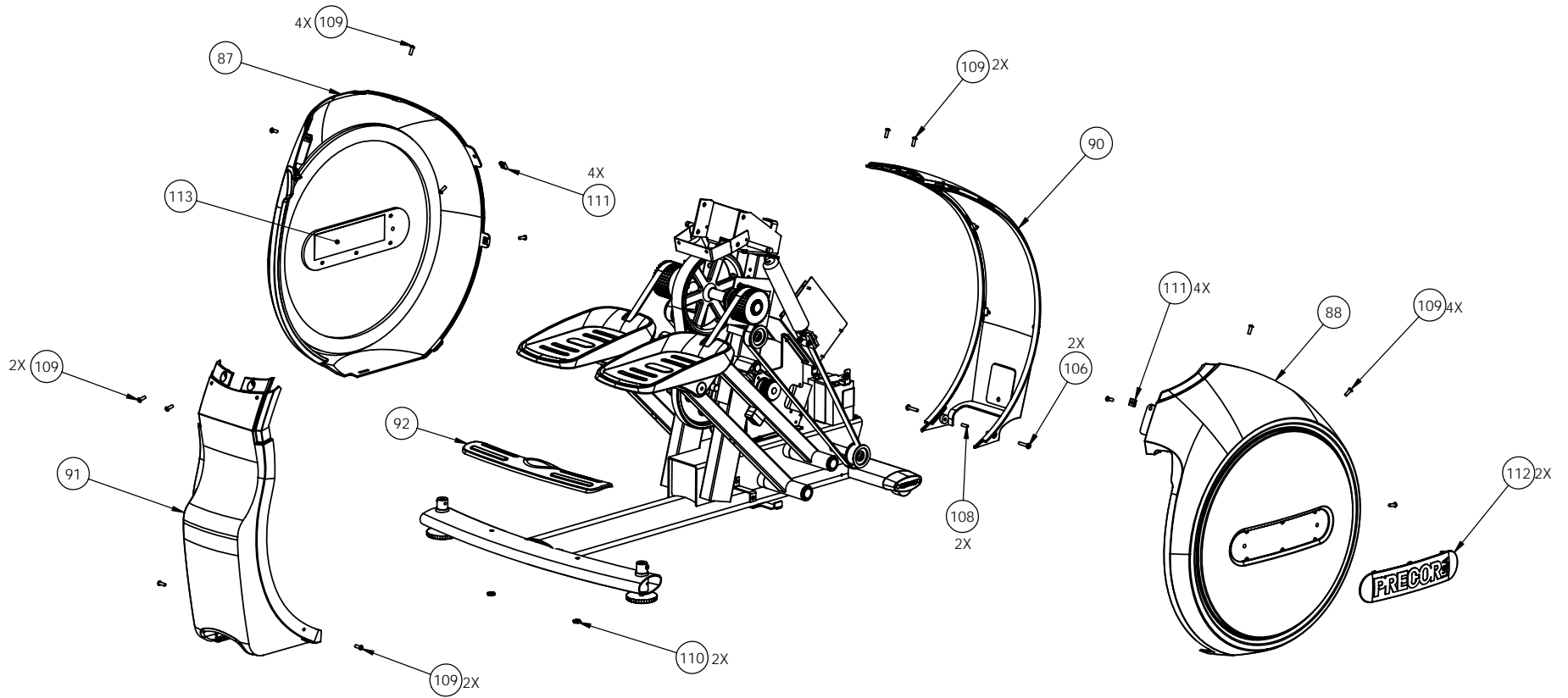












C776i Stairclimber (serial codes AMRJ, AJLJ, ATPW)

Part Number	Description	Bubble Number	Your Price
48356-101	WELDMENT, FRAME, C776I,PT	1	\$556.16
48393-101	ASSY, UPPER PCA & SW, C776I-T2	4	\$242.64
48392-101	ASSEMBLY, DISPLAY, LABEL, EN, 776I	6	\$173.20
44905-042	ASSY,CBL,MOD,8P8C,1-1,42"	7	\$3.68
WNKN026-006	WASHER,FLT,1/4X.625X.063,BLK ZN	8	\$0.72
48118-502	PCA, CLIMBER, SELF POWER, LOWER	9	\$349.28
48411-102	ASSY, LOWER PCA & SW, SP CLIMBER	9.01	\$281.52
48385-101	ASSY, HANDRAIL, LEFT, C776I,PT,TITA	21	\$84.32
48385-102	ASSY, HANDRAIL, RIGHT, C776I,PT,TIT	22	\$84.32
48410-100	CPU, PGMD, CLIMBER SELF POWER, LOWE	27	\$0.00
10115-113	O-RING, ROUND, 1.25ID X .139	28	\$0.32
48378-101	GROMMET, DISPLAY TUBE	29	\$7.92
48377-101	COVER, TOP, C776I	30	\$61.12
48386-101	CLAMP, HANDLEBAR MOUNT,C776I,PT	31	\$26.48
43579-106	BOARD, CHR & WIRELESS/CONTACT PRIOR	32	\$114.24
WACN019-005	WASHER, FLT, #10X.500X.049,ZN	33	\$0.32
42713-102	HHHR SENSOR, TOP	34	\$21.76
44411-103	TOUCHSENSOR SHIELD,23-KEY,T2/C2/T3/	35	\$10.00
43329-102	WIRE FORM,PLASTIC,COMMERCIAL	36	\$6.48
42714-102	HHHR SENSOR,BOTTOM	37	\$21.76
BACN031-075	BOLT, CARRIAGE, 5/16-18X3/4,GR 5,ZN	38	\$0.32
WRCN038-011	WASHER, GRADE 8,3/8,13/32 ID,13/16OD	38	\$0.96
42730-101	PLUG, HHR, HANDLE BAR END	39	\$2.80
48364-101	WELDMENT,HANDLEBAR,VERTICAL,C776I,P	40	\$102.16
33970-101	SPRING, EXT. 14IN X 1 OD, C760	41	\$25.60
48551-102	CLAMP, BELT C776I, BOTTOM	42	\$0.00
48421-032	ASSY, CABLE, HHR GRIP, W/SHIELD,32	43	\$51.20
TCNN016-075	SCREW, BTHD, 8-32X.75,SS	44	\$0.32
CAKE025-100	SCREW,SKHD,1/4-20X1,BLK ZN,LK	45	\$0.40
KAKN025-013	LOCKNUT,HALF,1/4-20,BLK ZN	46	\$0.32
10737-104	BELT, DRIVE, STAIRARM C776I, 1568 M	47	\$51.20
31514-101	COLLAR, SHORT SPACER	48	\$1.68
38422-103	RUBBER FOOT	49	\$5.20
AAHN100-004	RING,RETAINER,EXTERNAL,1	49	\$0.56
48485-101	ASSY,STAIR ARM,C776I	50	\$100.24
EAKE025-050	SCREW,SET,1/4-20X1/2",LK	51	\$0.00
CCKN025-075	SCREW,SKHD,1/4-20X0.75,BLK ZN,LK	52	\$1.44
48486-101	RIVET,PLASTIC, CHRISTMAS TREE	53	\$0.00
PKCN019-125	SCREW,S/T,#10X1.25,WSHHXHD,ZN	54	\$0.32
48366-101	SHAFT, STAIRARM PEDAL, LONG	55	\$27.36
48367-101	SHAFT, STAIRARM PEDAL, SHORT	56	\$27.68
48341-101	PEDAL, DIE CAST ALUMINUM,PAINT	57	\$54.80
44779-101	ASSEMBLY, HTD PULLEY	58	\$104.16
WAPNN100-003	WASHER, THRUST, 1.562 OD X .030	59	\$1.60
WAHNN105-002	WASHER, WAVE, 1.351 OD X 1.051	60	\$2.08
47341-018	ASSY, CABLE, HHR PCA, W/SHIELD, 18	62	\$28.08
57020-101	ASSY, DISPLAY MOUNT, C776I	63	\$204.00
48408-101	DISPLAY MOUNT COVER, CLIMBER	64	\$15.92
PHCN019-075	SCREW,S/T,#10X3/4,WSHRHXHD,ZN,	65	\$0.32
PKCN019-050	SCREW,S/T,#10X1/2,WSHHXHD,ZN	65	\$0.32
PKCN019-075	SCREW,S/T,#10X.75,WSHHXHD,ZN	65	\$0.32
44781-101	ASSEMBLY, UPPER STAIRARM BUMPER	66	\$5.20
MGCN016-038	SCREW,MCH,8-32X3/8,PANHD,PHIL,	67	\$0.32
TFKN025-075	SCREW,BTHD,1/4-20X3/4,BLK ZN	68	\$0.32
48380-101	CAP,ELLIPTICAL TUBE, CLIMBER	69	\$6.32
48381-101	HANDLEBAR TRANSITION COVER, CLIMBER	70	\$6.32
KGCN031-027	LOCKNUT,STARWASHER,5/16-18,1/2	71	\$0.32
KGCN038-033	LOCKNUT, STARWASHER, 3/8-16	71	\$0.32

45974-101	ASSY,STEP-UP,17:1 DRIVE,EFX	72	\$73.28
10217-130	BELT, DRIVE, POLY V (DAYCO 27-0628)	73	\$28.00
44905-014	ASSY,CBL,MOD,8P8C,1-1,SILVER,14"	74	\$0.00
11415-101	COUPLER,MOD,8P8C,INLINE	75	\$7.28
11406-104	FOOT, ADJUSTING 3" DIA	76	\$15.84
12258-040	BATTERY,SLA,12V,4AH,.187 TABS	77	\$62.40
39744-102	WHEEL, TRANSPORT, MOLDED	78	\$2.64
39786-101	WHEEL, COVER, REAR	79	\$4.40
45437-104	BRACKET,BATTERY,SELF POWERED BIKE	80	\$56.32
10217-138	BELT, DRIVE, 360J16 POLY V	81	\$34.24
48368-101	PULLEY,IDLER,FLANGED, 2"	82	\$19.28
49221-101	BRACKET,BOARD, SP, VERT MOUNT CLIMB	83	\$0.00
48370-101	ASSEMBLY,SP,GENERATOR,CLIMBER	84	\$167.44
43179-104	BACKPLATE, DISPLAY, COMMERCIAL ,STO	85	\$35.84
48413-101	BRACKET, COVER MOUNT, TOP, CLIMBER	86	\$27.52
48475-104	ASSY, SIDE COVER, RIGHT, C776I	87	\$125.04
48475-103	ASSY, SIDE COVER, LEFT, C776I	88	\$125.04
12648-101	BEARING ASSY, FLANGE 1" BORE	89	\$47.84
48375-101	COVER, FRONT, C776I	90	\$97.20
48376-102	COVER, BACK, C776I	91	\$85.04
48379-101	COVER, TRANSITION, CLIMBER	92	\$19.52
45334-015	ASSY,CBL,18AWG,FLAG QC CONN,15"	93	\$14.00
48551-101	CLAMP, BELT C776I, TOP	94	\$0.00
AAHN100-004	RING,RETAINER,EXTERNAL,1	95	\$0.56
WCCN031-008	WASHER, FLT, 5/16X.875X.083	96	\$0.32
CAKN031-175	SCREW,SKHD,5/16-18X1.75,BLK ZN,LK	97	\$1.52
CAKN019-075	SCREW, SKHD,10-24 X 0.75,BLK ZN,LK	98	\$0.32
PGKN016-050	SCREW,S/T,#8X1/2,TRS,PHIL,BLK	99	\$0.32
RANN038-100	SCREW,SHLD,1/2 X 1 ,HEXSC	100	\$4.40
12264-101	RJ-45 TELEPHONE JACK PLUG	101	\$2.72
CAKN019-125	SCREW, SKHD,10-24 X 1.25,BLK ZN	102	\$0.32
48373-101	ASSEMBLY, DRIVE, INPUT SHAFT	103	\$56.88
48373-102	ASSEMBLY, DRIVE, INPUT SHAFT	103	\$0.00
PMKN016-075	SCREW,TCS,#8X3/4,PHIL,BLK ZN,TYPE25	104	\$0.32
PMKN016-088	SCREW,TCS,#8X7/8,PHIL,BLK ZN,TYPE 2	104	\$0.48
11278-101	CABLE CLAMP,INSERT	105	\$1.04
12414-101	CABLE CLAMP INSERT,SNAP IN	105	\$1.36
PANKN025-125	SCREW, SELF TAPPING, 1/4-20 X 1.25,	106	\$0.00
WACBN100-006	WASHER, 1.50 OD X 1.00 ID X	107	\$0.80
10196-120	SPACER, NYLON, .50 OD, .26 ID, .75	108	\$0.00
TFKN025-075	SCREW,BTHD,1/4-20X3/4,BLK ZN	109	\$0.32
12647-101	PALNUT, SELF THREADING NUT, REG. TY	110	\$0.40
10136-102	CLIP,U TYPE, TINNERMAN, 1/4-20	111	\$2.16
39792-101	LABEL, EFX COVER, REAR	112	\$18.40
48465-101	LABEL, WIRING DIAGRAM ,C776I	113	\$15.36
43232-501	LABEL,CAUTION PINCH POINTS	118	\$2.48
47718-102	HOLE PLUG, PLASTIC .875 X.13-.18	119	\$0.64
TACN031-100	SCREW,BTHD,5/16-18X1, ZN	120	\$1.12
WBCN031-007	WASHER,FLT,5/16X.688X.065, ZN	121	\$1.52
KMCN031-023	NUT, HEX, 5/16-18, ZINC	122	\$0.32
49106-101	LABEL, BELT ROUTING LEFT, CLIMBER	130	\$0.00
49106-102	LABEL, BELT ROUTING RIGHT, CLIMBER	131	\$0.00
PMKN016-088	SCREW,TCS,#8X7/8,PHIL,BLK ZN,TYPE 2	151	\$0.48
48274-101	LABEL, ACCESSORY TRAY, EN,C776I	152	\$51.84
45696-022	ASSY,CBL,FFC,12COND,28AWG,2.2"	154	\$15.28
MGCN016-038	SCREW,MCH,8-32X3/8,PANHD,PHIL,	155	\$0.32
MGCN013-025	SCREW,MCH,6-32X1/4,PANHD,PHIL,	158	\$0.32
44954-013	ASSY,CBL,HHHR TO DISPLAY,13"	159	\$27.92
10123-102	CABLE TIE, 3-7/8 LONG,WHITE,NYL	160	\$0.32
49001-101	COLLAR,1"SHAFT,SINGLE SPLIT	161	\$14.72

49290-101	SPACER, 776I, DRIVE INPUT	161	\$0.00
57019-101	RETRO KIT, C776I SPRING SUPPORT	200	\$41.60
59084-101	CLIMBER SHAFT COLLAR UPGRADE KIT	200	\$29.44
37385-101	BRACKET, TENSIONER	355	\$2.72
37855-103	TAB, LOCKING	356	\$0.64
HACN025-250	SCREW, 1/4-20X2-1/2, HEX, GR 2, ZN	357	\$0.32
48390-101	KIT, HARDWARE, C776I	901	\$6.32
10186-101	WRENCH, ALLEN, 5/32	902	\$0.40
CAKN019-125	SCREW, SKHD, 10-24 X 1.25, BLK ZN	903	\$0.32
HCCN031-100	SCREW, HEX, GR 5, 5/16-18 X 1.0, ZN	905	\$1.28
TFKN025-075	SCREW, BTHD, 1/4-20X3/4, BLK ZN	906	\$0.32
WBCN031-007	WASHER, FLT, 5/16X.688X.065, ZN	907	\$1.52
48389-102	LITERATURE KIT, C776I	999	\$0.00